

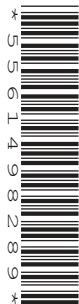
CANDIDATE
NAME

CENTRE
NUMBER

--	--	--	--	--

CANDIDATE
NUMBER

--	--	--	--



PHYSICS

0625/33

Paper 3 Theory (Core)

May/June 2018

1 hour 15 minutes

Candidates answer on the Question Paper.

No Additional Materials are required.

READ THESE INSTRUCTIONS FIRST

Write your Centre number, candidate number and name on all the work you hand in.

Write in dark blue or black pen.

You may use an HB pencil for any diagrams or graphs.

Do not use staples, paper clips, glue or correction fluid.

DO NOT WRITE IN ANY BARCODES.

Answer **all** questions.

Electronic calculators may be used.

You may lose marks if you do not show your working or if you do not use appropriate units.

Take the weight of 1.0 kg to be 10 N (acceleration of free fall = 10 m/s^2).

At the end of the examination, fasten all your work securely together.

The number of marks is given in brackets [] at the end of each question or part question.

(c) Fig. 1.2 shows a speed-time graph for the car during part of the race.

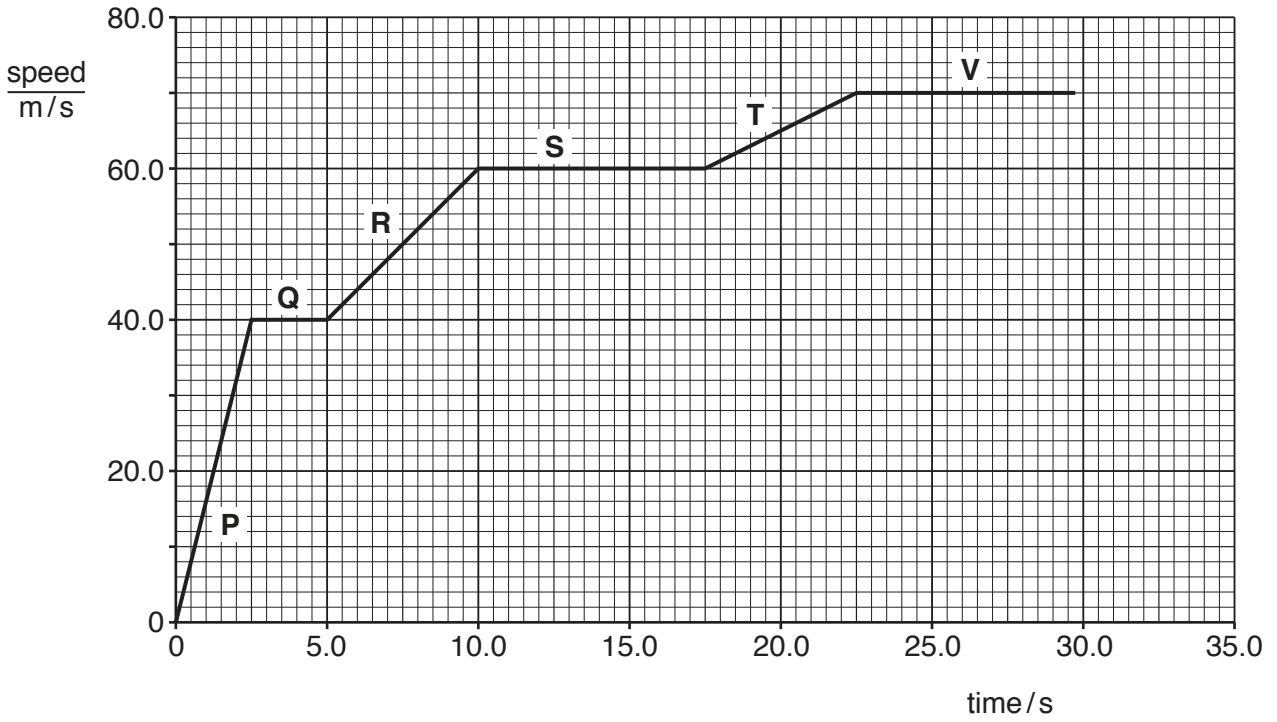


Fig. 1.2

(i) State the section of the graph that shows the greatest acceleration.

.....

Explain your answer.

.....

[2]

(ii) Calculate the distance travelled by the car during the first 2.5 seconds.

distance = m [3]

[Total: 11]

3 (a) The mass of a small steel ball is 120g. The volume of the ball is 16.0 cm³.

(i) Calculate the density of the steel ball.

density = g/cm³ [3]

(ii) The ball falls to the ground from rest. At a time of 0.2 s after it started to fall, its acceleration is 10 m/s².

State the acceleration of the ball at a time of 0.1 s after it started to fall.

..... [1]

(b) Fig. 3.1 shows the vertical forces that act on a large plastic ball as it is falling.

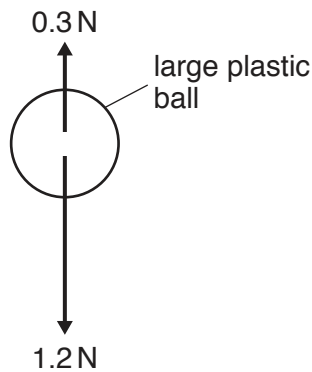


Fig. 3.1 (not to scale)

(i) State the name given to each of the forces shown in Fig. 3.1.

1.

2.

[1]

(ii) Calculate the size of the resultant force on the ball.

resultant force = N [1]

[Total: 6]

- 4 A lamp is attached to a wall, as shown in Fig. 4.1.

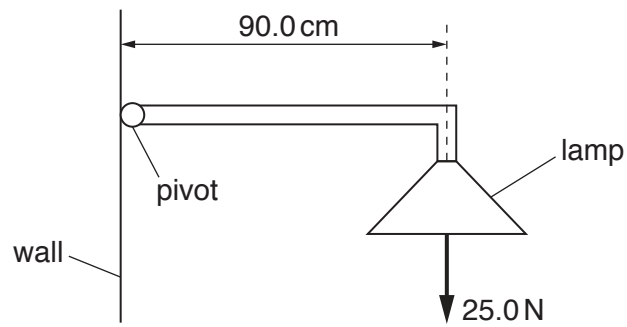


Fig. 4.1

Calculate the moment of the lamp about the pivot. Give the unit.

moment = [4]

[Total: 4]

5 (a) Fig. 5.1 shows a metal can containing air. The can is sealed with a lid.

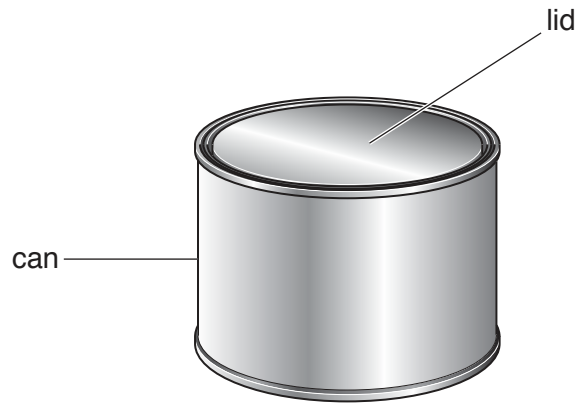


Fig. 5.1

The air in the can exerts a pressure of $20\,000\text{ N/m}^2$ on the lid. The area of the can lid is 0.09 m^2 .
Calculate the force on the lid due to the air in the can.

force = N [3]

(b) The air in the can becomes warmer.

State and explain what happens to the pressure of the air in the can. Use your ideas about gas molecules.

.....

 [3]

[Total: 6]

- 6 A student investigates the thermal energy lost from two metal cans, X and Y. The cans are identical apart from their outside colour.

The student pours the same volume of hot water into each can and seals each can. The student records the temperature of the water in each can at regular time intervals for a period of 35 minutes.

The equipment is shown in Fig. 6.1.

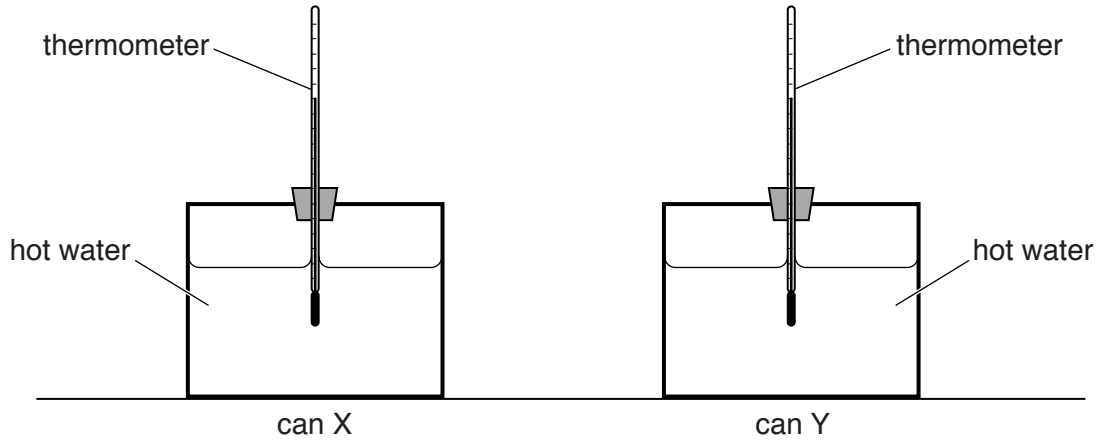


Fig. 6.1

Fig. 6.2 is a graph of the results from the investigation.

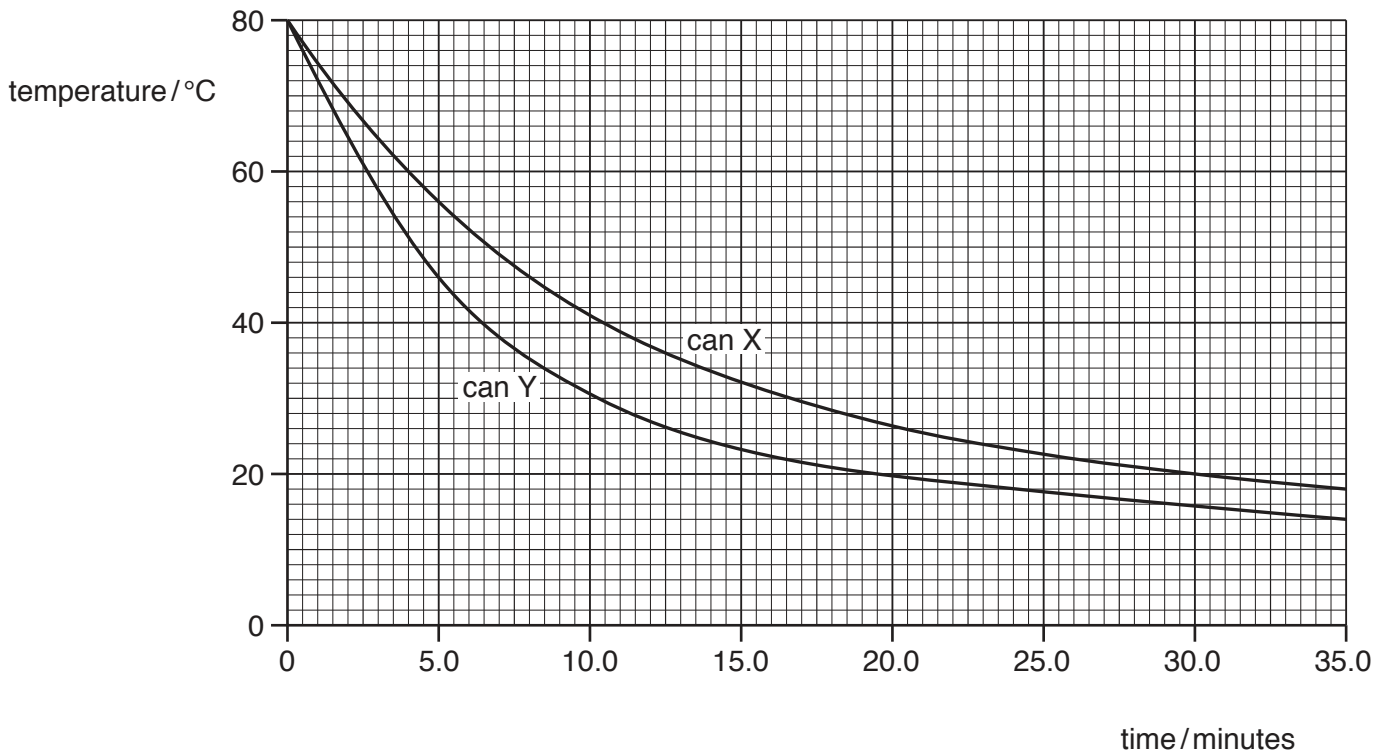


Fig. 6.2

(a) For can X, use Fig. 6.2 to determine the drop in temperature of the water

(i) in the first five minutes

.....[1]

(ii) in the last five minutes.

.....[1]

(b) Explain why the water cools at a greater rate during the first five minutes of the experiment, compared with the last five minutes.

.....
.....
.....[2]

(c) The outside of one can is dull black and the outside of the other is shiny white.

State the colour of can Y.

Explain your answer.

.....
.....
.....[2]

[Total: 6]

7 Fig. 7.1 shows an incomplete diagram of the electromagnetic spectrum.

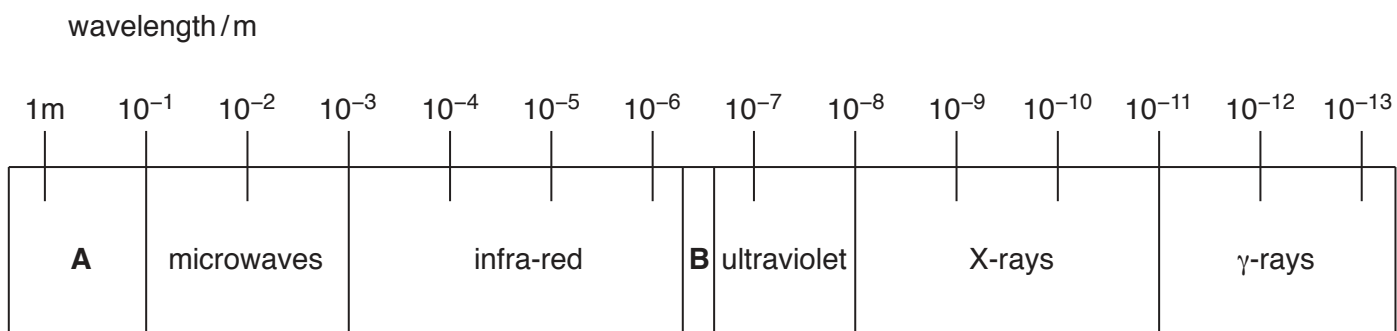


Fig. 7.1

(a) (i) In Fig. 7.1, section **A** and section **B** of the electromagnetic spectrum are not labelled.

State the names of these parts.

A

B

[2]

(ii) An electromagnetic wave has a wavelength of 1.0×10^{-9} m. Use Fig. 7.1 to identify the type of electromagnetic wave.

.....[1]

(b) All electromagnetic waves travel at the same speed in a vacuum.

State one other property that is the same for all electromagnetic waves.

.....[1]

(c) For each purpose, state one type of electromagnetic radiation that can be used.

(i) remote controllers for televisions

.....[1]

(ii) killing bacterial cells

.....[1]

[Total: 6]

8 (a) The boxes contain words about waves.

Complete each sentence. Choose a term from each box.

(i)

an electromagnetic	a longitudinal	a transverse
--------------------	----------------	--------------

Sound travels as wave. [1]

(ii)

amplitude	pitch	speed	wavelength
-----------	-------	-------	------------

A loud sound has a large [1]

(iii)

amplitude	pitch	speed	wavelength
-----------	-------	-------	------------

A student listens to two sounds. The sound with the higher frequency has a higher [1]

(b) Explain what is meant by the term *ultrasound*.

.....
 [2]

[Total: 5]

9 A student magnetises a steel rod by using a permanent magnet.

(a) Describe a method that the student could use. You may draw a diagram to help you.

.....
.....
..... [2]

(b) Explain how the student could test that the steel rod has been magnetised.

.....
.....
.....
..... [2]

(c) Magnets can be made from soft iron or from steel.

State **one** difference between the magnetic properties of soft iron and steel.

.....
.....
..... [1]

[Total: 5]

10 (a) Fig. 10.1 shows an electrical circuit.

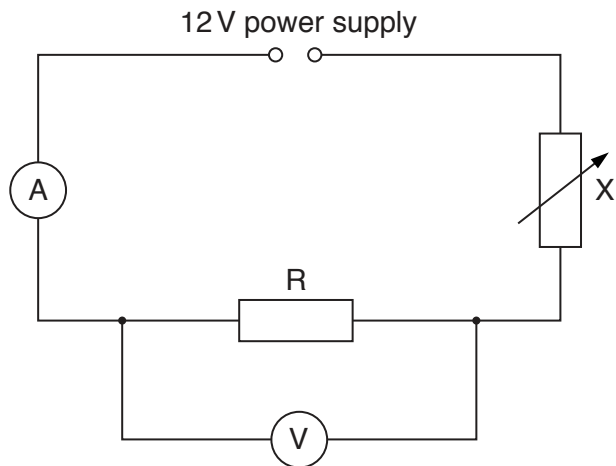


Fig. 10.1

(i) State the name for the component labelled X and state its function in this circuit.

name for component

function

..... [2]

(ii) Describe how the circuit shown in Fig. 10.1 could be used to find the resistance of the fixed resistor R.

.....

 [3]

(b) An electrical heater has a resistance of 21.8Ω when connected to a 240 V mains supply.

(i) Calculate the current in the heater.

current = A [3]

(ii) Suggest a rating for the fuse to be fitted to the mains plug for the heater.

fuse rating = A [1]

[Total: 9]

[Turn over

- 11 Fig. 11.1 shows a coil (solenoid) wrapped around a plastic tube. There is a current in the coil. The arrows show the direction of the current in the coil.

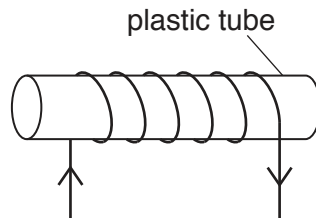


Fig. 11.1

- (a) On Fig. 11.1, draw the pattern of the magnetic field lines around the coil. Add arrows to show the direction of the magnetic field. [3]
- (b) A long soft iron bar is placed inside the plastic tube. There is a current in the coil. This forms a device. State the name of the device.

.....[1]

12 (a) Fig. 12.1 shows a diagram to represent a helium atom, and an incomplete key.

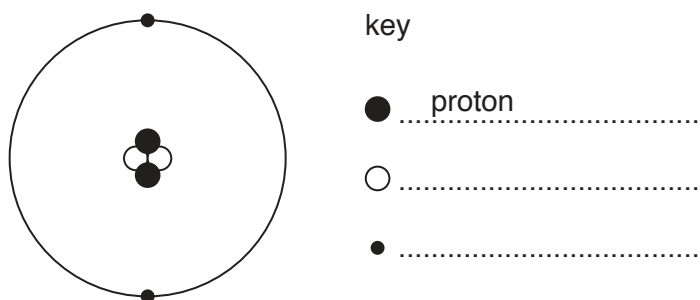


Fig. 12.1

Complete the key in Fig. 12.1. State the name of each particle. [2]

(b) The table in Fig. 12.2 compares two isotopes of helium.

	${}^3_2\text{He}$	${}^5_2\text{He}$
number of protons		
number of neutrons		

Fig. 12.2

For each isotope, write the number of protons and the number of neutrons in the correct places in the table. [2]

(c) The nucleus of the helium atom in (a) is the same as an α -particle.

(i) Describe the penetrating ability of α -particles.

.....
 [1]

(ii) Explain why it is dangerous to swallow a source that emits α -particles.

.....

 [2]

[Total: 7]

Permission to reproduce items where third-party owned material protected by copyright is included has been sought and cleared where possible. Every reasonable effort has been made by the publisher (UCLES) to trace copyright holders, but if any items requiring clearance have unwittingly been included, the publisher will be pleased to make amends at the earliest possible opportunity.

To avoid the issue of disclosure of answer-related information to candidates, all copyright acknowledgements are reproduced online in the Cambridge International Examinations Copyright Acknowledgements Booklet. This is produced for each series of examinations and is freely available to download at www.cie.org.uk after the live examination series.

Cambridge International Examinations is part of the Cambridge Assessment Group. Cambridge Assessment is the brand name of University of Cambridge Local Examinations Syndicate (UCLES), which is itself a department of the University of Cambridge.